



RANGE OF PERFORMANCE

Flow rate up to 80 l/min (4.8 m³/h)
Head up to 72 m

LIMITS OF USE

Manometric suction lift up to 9 m
Liquid temperature up to + 40°C
Environment temperature up to + 40°C

CONSTRUCTION AND SAFETY STANDARDS

EN 60 335-1	EN 60034-1
IEC 335-1	IEC 34-1
CEI 61-150	CEI 2-3



INSTALLATION AND USE

They are recommended for pumping clean water and liquids that are chemically non aggressive to the materials from which the pump is made.

JCR SELF-PRIMING PUMPS ARE DESIGNED FOR SUCTION LIFTS AND CAN BE POSITIONED ABOVE THE WATER SOURCE, INCLUDING APPLICATIONS WITH AIR ENTRAINED IN THE WATER. DUE TO THEIR RELIABILITY AND LOW MAINTENANCE, THEY ARE RECOMMENDED FOR DOMESTIC USE, INCLUDING WATER DISTRIBUTION (AS PART OF A PRESSURE SET), GARDEN IRRIGATION, ETC.

The pumps must be installed in enclosed places, or at least protected against inclement weather.

GUARANTEE 2 YEARS subject to our general terms of sale.

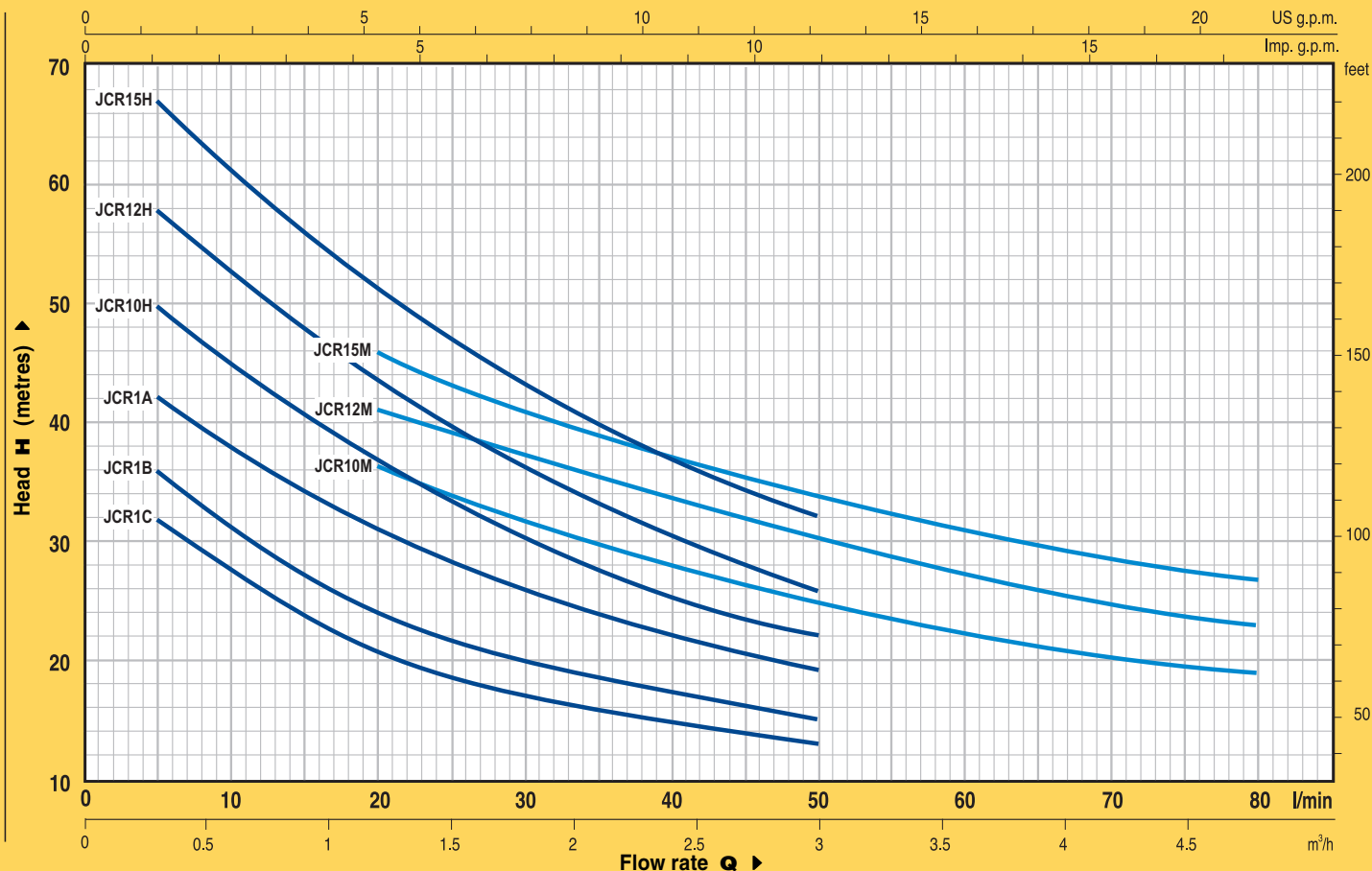
CONSTRUCTION CHARACTERISTICS

- **PUMP BODY:** stainless steel AISI 304, with threaded ports ISO 228/1.
- **BODY BACK-PLATE:** stainless steel AISI 304.
- **EJECTOR ASSEMBLY:** technopolymer (approved for drinking water).
- **IMPELLER:** technopolymer (for drinking water).
- **MOTOR SHAFT:** stainless steel EN 10088-3 - 1.4104
- **MECHANICAL SEAL:** ceramic - graphite - NBR.
- **ELECTRIC MOTOR:** the pumps are close-coupled to a carefully matched PEDROLLO electric motor, quiet running, totally enclosed fan cooled (TEFC), suitable for continuous duty..
JCRm: single-phase 230 V - 50 Hz with capacitor and thermal overload protector.
JCR: three-phase 230/400 V - 50 Hz.
- **INSULATION:** class F. ● **PROTECTION:** IP 44.

OPTIONS ON REQUEST

⇒ other voltages or frequency 60 Hz

CURVES AND PERFORMANCE DATA AT n= 2900 1/min

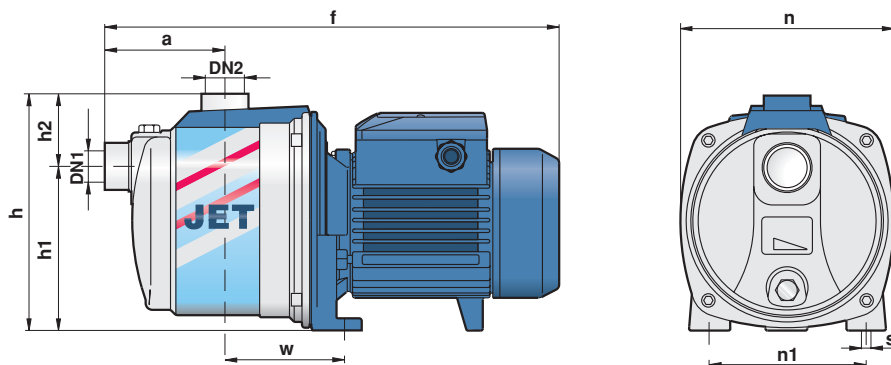


TYPE		POWER		Q	H metres															
Single-phase	Three-phase	kW	HP		m³/h	0	0.3	0.6	0.9	1.2	1.5	1.8	2.1	2.4	3.0	3.6	4.2	4.8		
JCRm 1C	JCR 1C	0.37	0.50	l/min	0	5	10	15	20	25	30	35	40	50	60	70	80			
JCRm 1B	JCR 1B	0.50	0.70		35	32	27	24	21	19	17	16	15	13						
JCRm 1A	JCR 1A	0.60	0.85		41	36	31	27	24	22	20	19	17	15						
JCRm 10H	JCR 10H	0.75	1		47	42	38	34	31	28.5	26	24	22	19						
JCRm 12H	JCR 12H	0.90	1.25		56	50	45	41	37	33	30	27	25	22						
JCRm 15H	JCR 15H	1.1	1.5		64	58	53	48	44	40	36	33	31	26						
JCRm 10M	JCR 10M	0.75	1		72	67	61	56	51	47	43	40	37	32						
JCRm 12M	JCR 12M	0.90	1.25		46	44	41	39	37	35	32	30	28	25	22	21	19			
JCRm 15M	JCR 15M	1.1	1.5		50	48	45	43	41	39	37	36	34	30	27	25	23			
					55	53	50	48	46	43	41	39	37	34	31	29	27			

Q = Flow rate H = Total manometric head

Tolerance of the performance curves according to EN ISO 9906 App. A.

DIMENSIONS AND WEIGHTS



TYPE		PORTS		DIMENSIONS mm									kg	
Single-phase	Three-phase	DN1	DN2	a	f	h	h1	h2	n	n1	w	s	1~	3~
JCRm 1C	JCR 1C	1"	1"	90	345	174	122	52	160	120	95	9	5.6	5.8
JCRm 1B	JCR 1B				353/345								5.7	6.0
JCRm 1A	JCR 1A				5.9								6.5	
JCRm 10H-M	JCR 10H-M	1 1/4"	1"	117	406	206	145	55	184	135	110	10	9.4	9.6
JCRm 12H-M	JCR 12H-M												10.5	9.6
JCRm 15H-M	JCR 15H-M												10.8	10.4